

Preparation

**Part Number: PT936-50110-XX,
PT936-50120-XX, ||PT936-50130-XX**

NOTE: Part number of this accessory may not be the same as the part number shown.

Kit Contents

Item #	Quantity Req'd.	Description
1	1	Front Driver Door Guard (Reference Pink Sticker)
2	1	Front Passenger Door Guard (Reference Blue Sticker)
3	1	Rear Driver Door Guard (Reference Green Sticker)
4	1	Rear Passenger Door Guard (Reference Yellow Sticker)

Hardware Bag Contents

Item #	Quantity Req'd.	Description
1	N/A	
2		

Additional Items Required For Installation

Item #	Quantity Req'd.	Description
1	A/R	Simple Green All-Purpose Cleaner – Full Strength
2	A/R	Lint-free towel
3	A/R	Blue painter’s masking tape
4	1	Scissors

Conflicts

None

Recommended Tools

Personal & Vehicle Protection	Notes
None	
Special Tools	Notes
PPO Magnetic Template	IADS p/n = LS412-D5-01
DIO Paper Door Templates	See last page of these instructions
Nylon Removal Tool(NRT)	SST p/n = 00002-06002-01
Installation Tools	Notes
12-oz. rubber mallet	IADS p/n =PRI10-D5-02 Vaughn, p/n = SF12
Special Chemicals	Notes
None	

General Applicability

All

Recommended Sequence of Application


Item #	Accessory
1	
2	


*Mandatory


Vehicle Service Parts (may be required for reassembly)


Item #	Quantity Req'd.	Description
1		
2		
3		


Legend


 **STOP:** Damage to the vehicle may occur. Do not proceed until process has been complied with.

 **OPERATOR SAFETY:** Use caution to avoid risk of injury.

 **CAUTION:** A process that must be carefully observed in order to reduce the risk of damage to the accessory/vehicle and to ensure a quality installation.

 **TOOLS & EQUIPMENT:** Used in Figures calls out the specific tools and equipment recommended for this process.

 **REVISION MARK:** This mark highlights a change in installation with respect to previous issue.

 **SAFETY TORQUE:** This mark indicates that torque is related to safety.

Procedure

Care must be taken when installing this accessory to ensure damage does not occur to the vehicle. The installation of this accessory should follow approved guidelines to ensure a quality installation.

These guidelines can be found in the "Accessory Installation Practices" document.

This document covers such items as:-

- Vehicle Protection (use of covers and blankets, cleaning chemicals, etc.).
- Safety (eye protection, rechecking torque procedure, etc.).
- Vehicle Disassembly/Reassembly (panel removal, part storage, etc.).
- Electrical Component Disassembly/Reassembly (battery disconnection, connector removal, etc.).

Please see your Toyota dealer for a copy of this document.

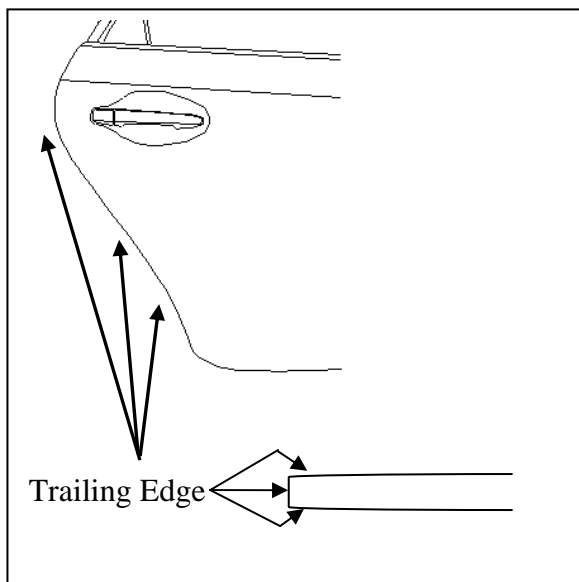


Fig. 1-1

1. Preparation of Surface(s)



NOTE: It is *critical* to this installation that car door edges are *completely free of wax and oil residue* to permit the DEG to engage and grip the door's edge. The key goal for preparation is to ensure complete removal of residue that can prevent the DEG from gripping. Please follow the steps in their entirety.

- (a) Fully open rear passenger door.
- (b) Using 2 (two) lint free cloths:
 - i. Spray 3~4 pumps of Simple Green onto lint free towel and pinch the wet towel between your thumb and forefinger while running along the length of the door edge to clean the inside and outside of the trailing edge of door. Make several passes to ensure the wax and oil has been removed. (Fig. 1-1)
 - ii. Using the second lint free cloth, thoroughly dry the area free of Simple Green cleaner previously applied. In some instances a rubber weather seal may be found – ensure to clean between the trailing edge and rubber seal. (Fig. 1-2) Turn the cloth repeatedly to attain a dry surface.
 - iii. When correctly cleaned, resistance will be felt on the lint free towel during the drying process.

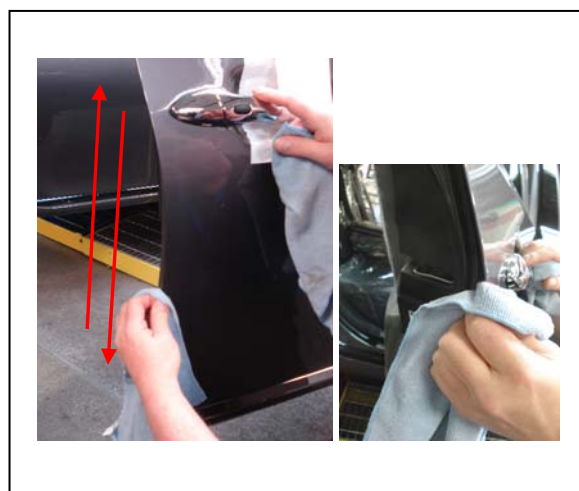


Fig. 1-2

- (c) Repeat Step (b), if resistance is NOT felt.

Procedure

2. Installation of Door Edge Guard (DEG)

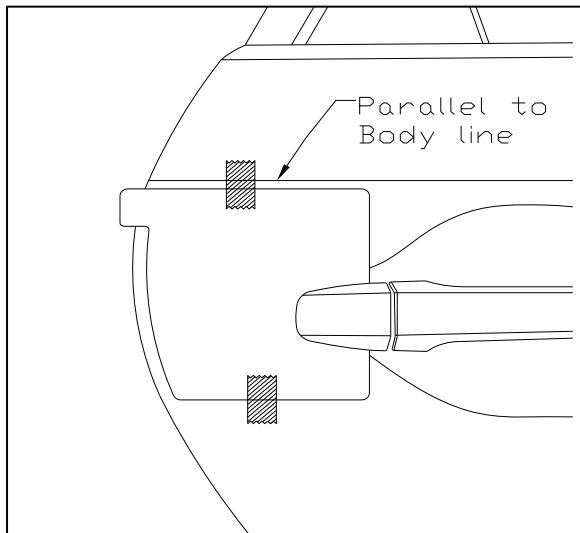


Fig. 1-3

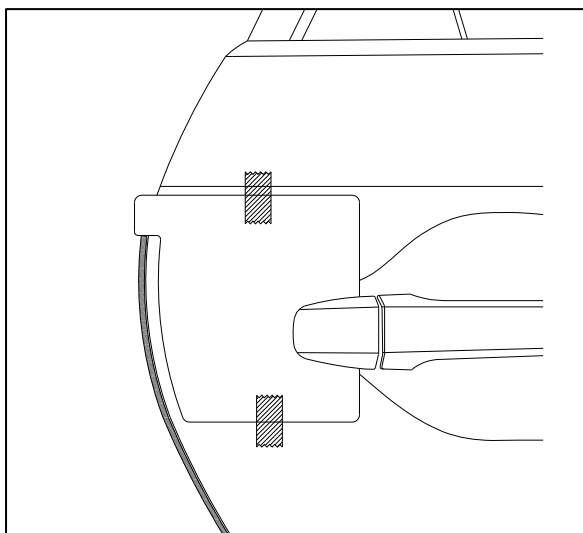


Fig. 1-4

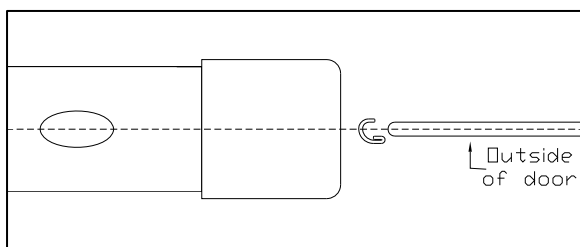


Fig. 1-5

⚠ NOTE: If being installed at Port, all references to “template” refer to a magnetic template. If being installed by a dealer or individual, all references are to the paper templates located on the last page of these instructions.

(a) If you will be using the paper templates; use scissors and carefully cut them out at this time.

⚠ NOTE: Templates are reversible for use on both sides of the vehicle.

(b) Select rear door template and fit notch around door handle. Adjust as needed to ensure it is parallel to body line directly above the template. If needed, tape into place using painter’s masking tape. (Fig 1-3)

(c) Align top edge of the DEG, (labeled Rear Passenger with Yellow sticker), with lower edge of template alignment notch as shown.

⚠ NOTE: Top of DEG can be identified by matching the profile of DEG to the door profile. (Fig 1-4)

In some instances, the free form shape of the DEG may differ from exact physical door contours. Production tooling consideration for the DEG provides the channel with ‘memory’ to conform to the exact door contours as the channel is installed.

⚠ NOTE: BEFORE PROCEEDING IT IS EXTREMELY IMPORTANT TO PROPERLY ALIGN THE DOOR EDGE, DOOR EDGE GUARD CHANNEL AND MALLET AS SHOWN IN FIG. 1-5 MALLET TECHNIQUE IS VITAL FOR PROPER INSTALLATION:

Procedure

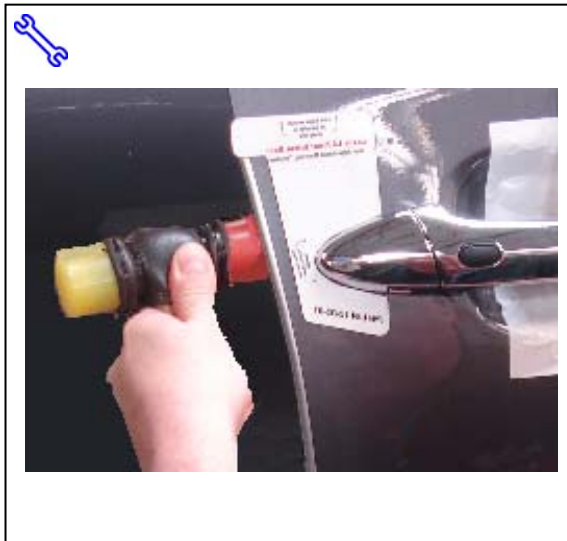


Fig. 1-6

(d) Mallet blows need to be delivered squarely (broad face contact opposed to point contact) to the spine of the molding, and perpendicular to the door edge as shown. While holding DEG in proper alignment with one hand, use **soft side of the rubber mallet** to begin tapping the channel onto the door edge, starting three (3") inches below the top of the DEG. Ensure the channel is fully engaged onto the door edge before proceeding to the next step. (Fig. 1-6)

⚠ NOTE: If DEG needs to be removed for any reason, the DEG should be replaced with a new part. (DEG employs compression fit design for retention and appropriate retention cannot be assured if DEG is reinstalled).



Fig. 1-7

⛔ CAUTION: DO NOT PULL ON THE DEG; THIS CAN DAMAGE THE DEG AND THE FINISHED PAINT QUALITY.

Follow DEG removal procedure described in NOTE below:

⚠ NOTE: Recommended removal technique is with use of a Nylon Removal Tool (NRT). Begin by positioning the tip of the NRT against the leading edge of the DEG on the outside face of the door. Gently tap the NRT just below the top of the DEG to begin disengaging the DEG, and tapping progressively down the length of the channel until about 3" from the bottom. Finish removal tapping from bottom of DEG working up, catching DEG as it comes off the door. (Fig. 1-7)



Fig. 1-8

(e) Continue tapping channel onto door edge moving toward the top of door before proceeding down the entire length of the DEG. Use your other hand to steady and guide DEG as you go. (Fig.1-8)

Procedure

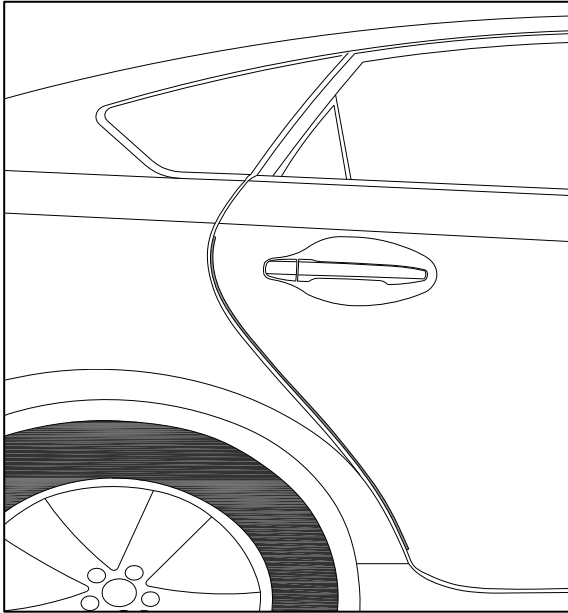


Fig. 1-9

⚠ NOTE: IT IS IMPORTANT TO FULLY ENGAGE THE CHANNEL ONTO THE DOOR EDGE AT EACH POINT BEFORE YOU PROCEED DOWN AND AROUND THE CURVES OF THE DOOR.

- (f) With DEG engaged along its full length; begin again at the top of the DEG, progressively tapping with moderate blows (**use soft side of mallet**) down entire length to ensure channel is fully seated.
- (g) Carefully use firmer side of mallet to **very lightly** tap down the length of the DEG. If fully seated you should hear a solid report from the tapping.

⚠ NOTE: Intended purpose of this step is to listen for a solid report in response to light taps to confirm DEG is fully seated. **THE FIRMER SIDE OF THE MALLET CAN DAMAGE THE DEG IF USED WITH MODERATE OR HEAVY BLOWS.** If audible report received with light tap indicates DEG is not fully seated, repeat steps 1(f) and 1(g).

- (h) Carefully close rear door and visually ensure DEG has sufficient clearance from adjoining body panels. Carefully remove template from door and retain for use on driver side.
(Fig. 1-9)

Procedure

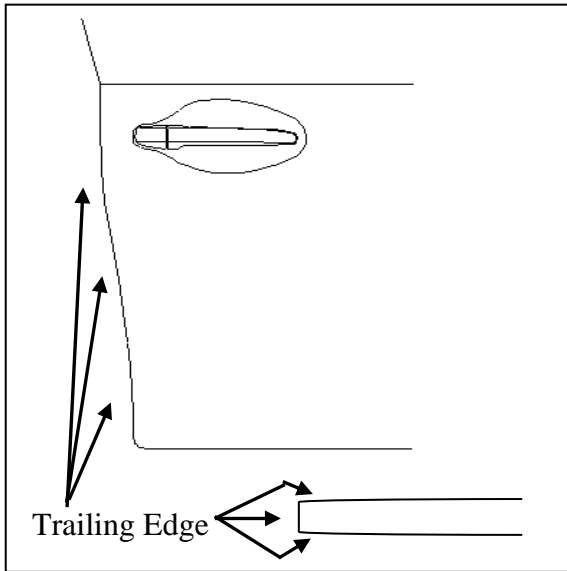


Fig. 1-10

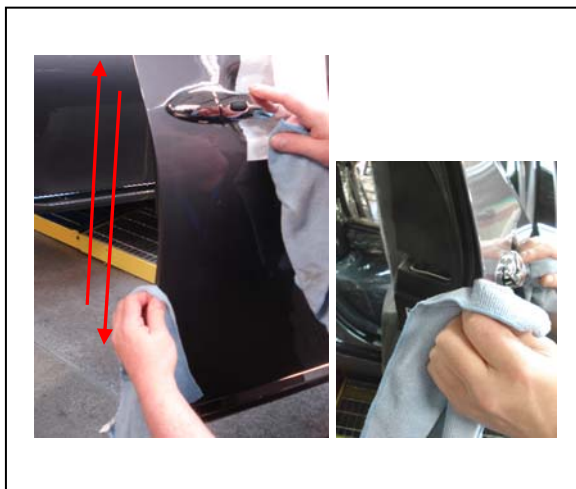


Fig. 1-11

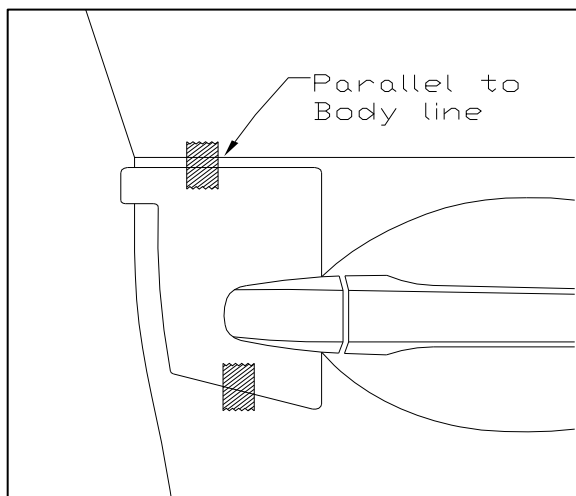


Fig. 1-12

- (i) Fully open front passenger door.
- (j) Using 2 (two) lint free cloths:
 - i. Spray 3~4 pumps of Simple Green onto lint free towel and pinch the wet towel between your thumb and forefinger while running along the length of the door edge to clean the inside and outside of the trailing edge of door. Make several passes to ensure the wax and oil has been removed. (Fig. 1-10)
 - ii. Using the second lint free cloth, thoroughly dry the area free of Simple Green cleaner previously applied. In some instances a rubber weather seal may be found – ensure to clean between the trailing edge and rubber seal. (Fig. 1-11) Turn the cloth repeatedly to attain a dry surface.
 - iii. When correctly cleaned, resistance will be felt on the lint free towel during the drying process.
- (k) Repeat Step (j), if resistance is NOT felt.
- (l) Select front door template and fit notch around door handle. Adjust as needed to ensure it is parallel to body line directly above the template. If needed, tape into place using painter’s masking tape. (Fig 1-12)

Procedure

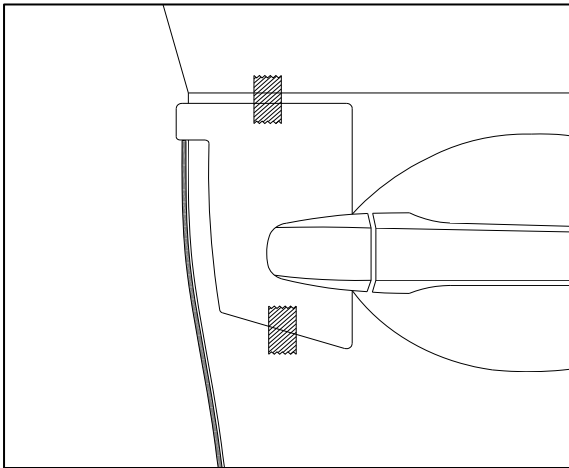


Fig. 1-13

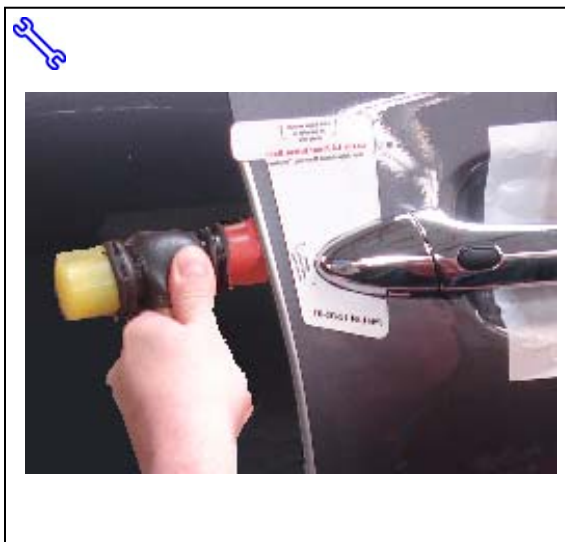


Fig. 1-14



Fig. 1-15

(m) Align top edge of DEG (labeled Front Passenger with Blue sticker) with lower edge of template alignment notch as shown. (Fig 1-13)

(n) While holding DEG in proper alignment with one hand, use **soft side of the rubber mallet** to begin tapping the channel onto the door edge starting three (3") inches below the top of the DEG, working your way to the top of the DEG. (Fig 1-14) Ensure top of DEG is fully engaged on the door edge before proceeding to next step.

⚠ NOTE: If DEG needs to be removed for any reason, the DEG should be replaced with a new part. (DEG employs compression fit design for retention and appropriate retention cannot be assured if DEG is reinstalled).

STOP CAUTION: DO NOT PULL ON THE DEG; THIS CAN DAMAGE THE DEG AND THE FINISHED PAINT QUALITY.

Follow DEG removal procedure described in NOTE below:

⚠ NOTE: Recommended removal technique is with use of a Nylon Removal Tool (NRT). Begin by positioning the tip of the NRT against the leading edge of the DEG on the outside face of the door. Gently tap the NRT just below the top of the DEG to begin disengaging the DEG, and tapping progressively down the length of the channel until about 3" from the bottom. Finish removal from bottom of DEG working up, catching DEG as it comes off the door. (Fig. 1-15)

Procedure



Fig. 1-16

- (o) Continue progressively tapping channel onto door edge proceeding down the entire length of the DEG. Use your other hand to steady and guide the DEG as you go. (Fig.1-16)

⚠ NOTE: IT IS IMPORTANT TO FULLY ENGAGE THE CHANNEL ONTO THE DOOR EDGE BEFORE YOU PROCEED DOWN AND AROUND THE CURVES OF THE DOOR.

- (p) With DEG engaged along its full length: begin again at the top of the DEG progressively tapping with moderate blows (**use soft side of mallet**) down entire length to ensure channel is fully seated.

- (q) Carefully use the firmer side of mallet to **very lightly** tap down the length of the DEG. If fully seated you should hear a solid report from the tapping.

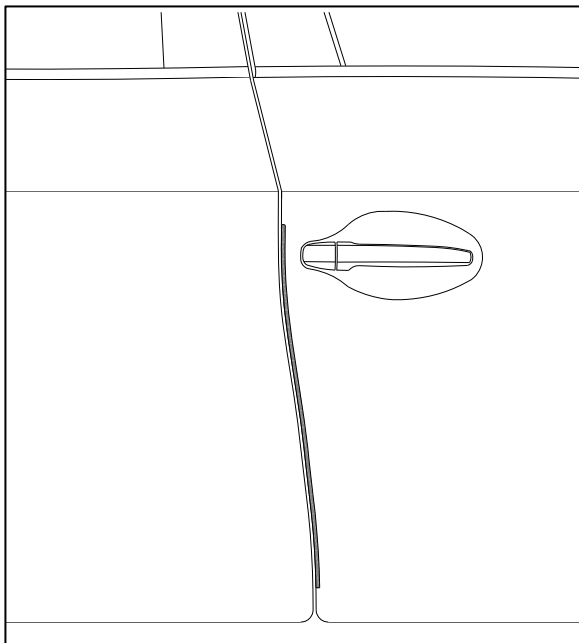


Fig. 1-17

⚠ NOTE: Intended purpose of this step is to listen for a solid report in response to light taps to confirm DEG is full seated. **THE FIRMER SIDE OF THE MALLET CAN DAMAGE THE DEG IF USED WITH MODERATE OR HEAVY BLOWS.** If audible report received with light tap indicates DEG is not fully seated, repeat steps 1(p) and 1(q).

- (r) Carefully close front door and visually ensure DEG has sufficient clearance from adjoining body panels. Carefully remove template from door and retain for use on driver side.

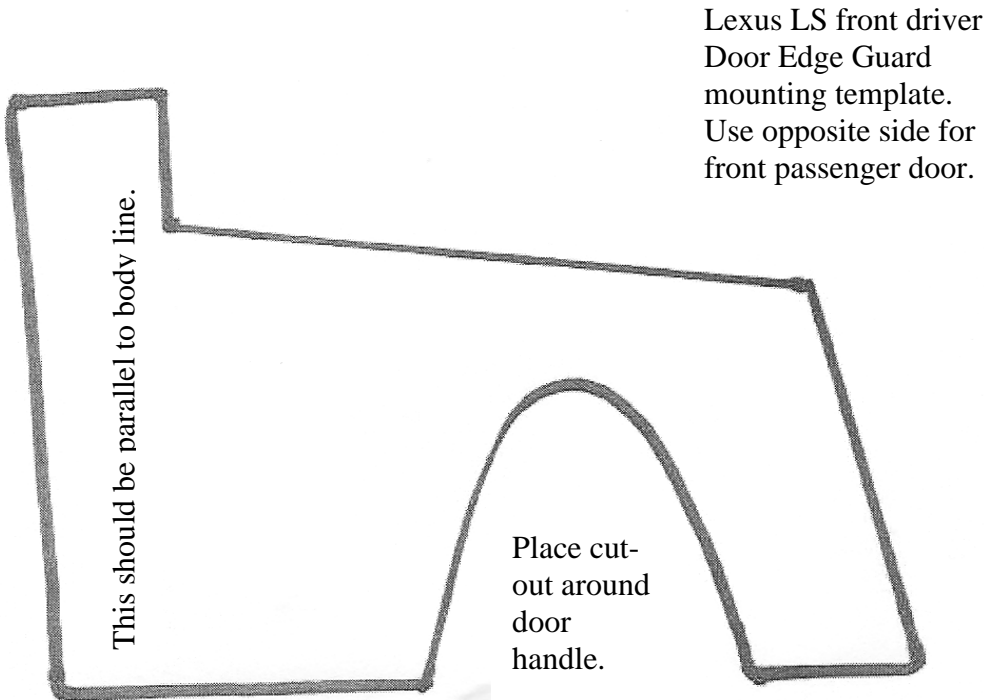
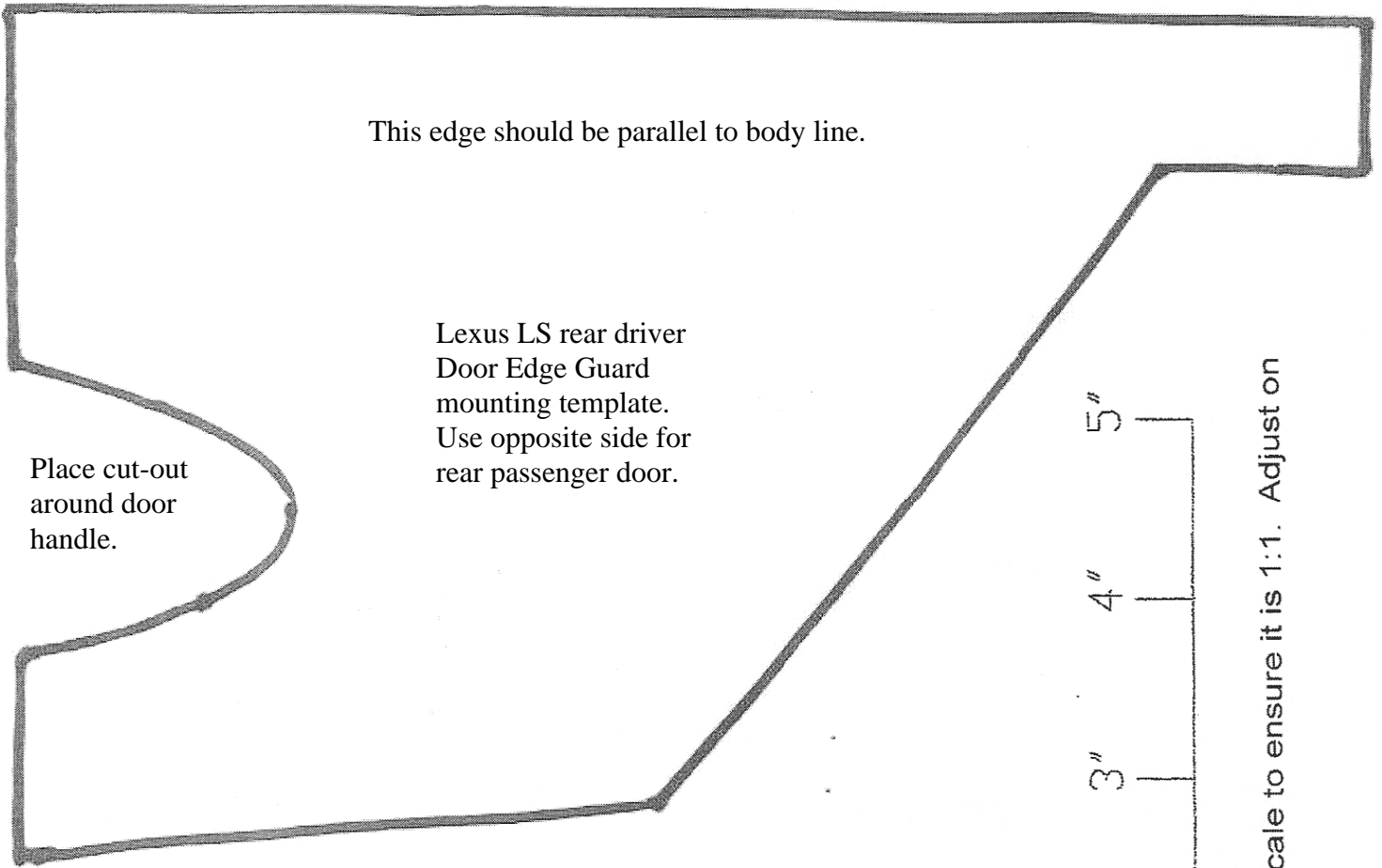
(Fig. 1-17)

- (s) Repeat steps 1, and 2(a) thru 2(r) on the driver side of vehicle.

Checklist - these points **MUST** be checked to ensure a quality installation.

<p><u>Check:</u></p>	<p><u>Look For:</u></p>
<p><u>Accessory Function Checks</u></p> <p><input type="checkbox"/> Confirm all Door Edge Guards are fully seated</p>	<p>Look for a fairly consistent gap between the DEG and adjoining vehicle panels.</p> <p>NOTE: Normal vehicle manufacturing tolerances may exist that are not a consequence of an improperly seated DEG installation.</p>
<p><u>Vehicle Function Checks</u></p> <p><input type="checkbox"/> Vehicle door operation</p>	<p>Confirm all four vehicle doors open and close without interference from DEG or Body Side Molding.</p>
<p> <u>Vehicle Appearance Check</u></p> <p><input type="checkbox"/> After accessory installation and removal of protective cover(s), perform a visual inspection.</p>	<p>Ensure no damage (including scuffs and scratches) was caused during the installation process. (For PPO installations, refer to TMS Accessory Quality Shipping Standard.)</p>

Mounting Templates



Dealer Installation Note: Check above scale to ensure it is 1:1. Adjust on photocopier if it is not to scale.