

Part Number: PT908-78150

Kit Contents

Item #	Quantity Reqd.	Description
1	1	Cargo Tray

Hardware Bag Contents

Item #	Quantity Reqd.	Description

Additional Items Required For Installation

Item #	Quantity Reqd.	Description

Conflicts

None

Recommended Tools

Personal & Vehicle Protection	Notes
Cover or blanket	
Special Tools	Notes
None	
Installation Tools	Notes
None	
Special Chemicals	Notes
None	

General Applicability

All Models

Recommended Sequence of Application







Item #	Accessory
1	Cargo Tray
2	Cargo Net

*Mandatory

Vehicle Service Parts (may be required for reassembly)

Item #	Quantity Reqd.	Description

Legend

	STOP: Damage to the vehicle may occur. Do not proceed until process has been complied with.
	OPERATOR SAFETY: Use caution to avoid risk of injury.
	CAUTION: A process that must be carefully observed in order to reduce the risk of damage to the accessory/vehicle and to ensure a quality installation.
	TOOLS & EQUIPMENT: Used in Figures calls out the specific tools and equipment recommended for this process.
	REVISION MARK: This mark highlights a change in installation with respect to previous issue.
	SAFETY TORQUE: This mark indicates that torque is related to safety.

Care must be taken when installing this accessory to ensure damage does not occur to the vehicle. The installation of this accessory should follow approved guidelines to ensure a quality installation.

These guidelines can be found in the "Accessory Installation Practices" document.

This document covers such items as:-

- Vehicle Protection (use of covers and blankets, cleaning chemicals, etc.).
- Safety (eye protection, rechecking torque procedure, etc.).
- Vehicle Disassembly/Reassembly (panel removal, part storage, etc.).
- Electrical Component Disassembly/Reassembly (battery disconnection, connector removal, etc.).

Please see your Toyota dealer for a copy of this document.

1. PREPARATION

- (a) Open the package and check the part for damage and kit contents.
- (b) Remove any stored items and debris from the cargo area.
- (c) Place vehicle protection over the rear bumper.

2. INSTALL THE CARGO TRAY

- (a) Place the Cargo Tray in the cargo area with the logo towards the rear of the vehicle and facing up (Fig 2-1).

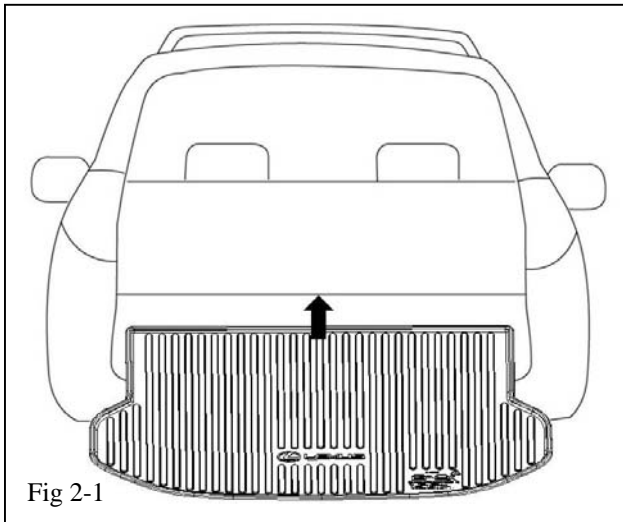


Fig 2-1

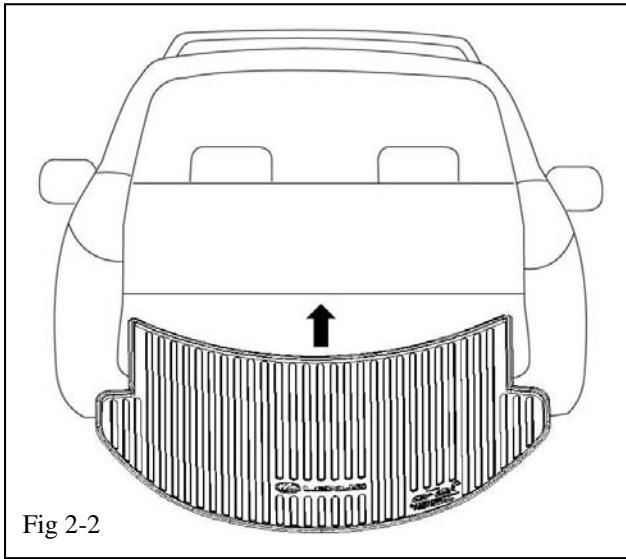


Fig 2-2

- (b) Grasp the tray by the rear and fold in the sides sufficiently to slide it into the rear compartment. After installing the tray, ensure all of the edges are pushed down against the floor (Fig 2-2).

3. COMPLETE THE INSTALLATION

- (a) Remove the vehicle protection.
- (b) Close the rear door.

Checklist - these points **MUST** be checked to ensure a quality installation.

<u>Check:</u>	<u>Look For:</u>
<p><u>Accessory Function Checks</u></p> <p><input type="checkbox"/> Correct part number has been installed</p>	<p>Verify part number on package.</p>
<p><u>Vehicle Function Checks</u></p> <p><input type="checkbox"/></p> <p><input type="checkbox"/></p> <p><input type="checkbox"/></p>	
<p><u>Vehicle Appearance Check</u></p> <p><input type="checkbox"/> After accessory installation and removal of protective cover(s), perform a visual inspection.</p>	<p>Ensure no damage (including scuffs and scratches) was caused during the installation process. (For PPO installations, refer to TMS Accessory Quality Shipping Standard.)</p>