

Part Number: PT347-50040

Section I - Installation Preparation

Kit Contents

Item #	Quantity Req'd.	Description
1	1	Convenience Net
2	1	Installation Instructions
3	1	Hardware Bag

Hardware Bag Contents

Item #	Quantity Req'd.	Description
1	2	T-anchors
2	2	Double Ended Studs
3	2	Panel Clips

Additional Items Required For Installation

Item #	Quantity Req'd.	Description
1		

Conflicts

Note:

Recommended Tools

Safety Tools	
None	
Special Tools	
None	
Installation Tools	
Nylon Panel Removal Tool	e.g. Panel Pry Tool #1 Toyota SST # 00002-06001-01
Special Chemicals	
None	

General Applicability






--

Recommended Sequence of Application

Item #	Accessory	
1		
2		
3		

*Mandatory

Legend

	STOP: Damage to the vehicle may occur. Do not proceed until process has been complied with.
	OPERATOR SAFETY: Use caution to avoid risk of injury.
	CRITICAL PROCESS: Proceed with caution to ensure a quality installation.
	GENERAL PROCESS: This highlights specific processes to ensure a quality installation.
	TOOLS & EQUIPMENT: Calls out the specific tools and equipment recommended for this process.

Section II - Installation Procedure

A. Install Hardware.

1. Open trunk and locate upper anchor points. (Fig. A-1)
- ➔ 2. Remove and discard upper trim plug on the passenger side of the vehicle, using Nylon Panel Removal Tool, as shown. (Fig. A-2)
3. Remove trim plug retainer clip.
 - i. Pull back rear plastic trim panel.
 - ii. Pull carpet away from trunk side wall.
 - ➔ iii. Remove and discard the retaining clip with the nylon removal tool as shown. (Fig. A-3)
- ➔ 4. Attach panel clip as shown. (Fig. A-4)
5. Replace carpet and trim panel. Thread T-anchor into trim panel as shown. (Fig. A-5)
 - ⚠ i. Make sure the top of the T-anchor is at a 45 degree angle toward the inside of the vehicle.
6. Repeat steps A. 1. through A. 5. for the driver's side of the vehicle.

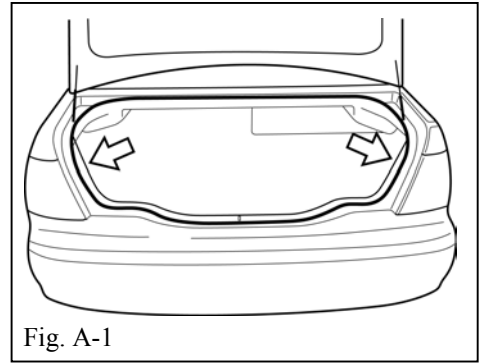


Fig. A-1

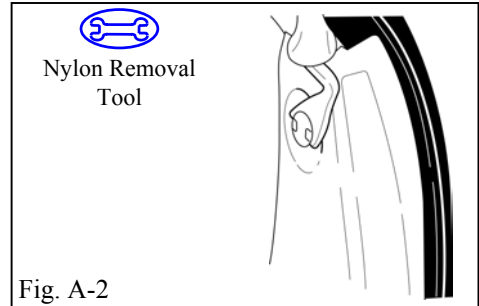


Fig. A-2

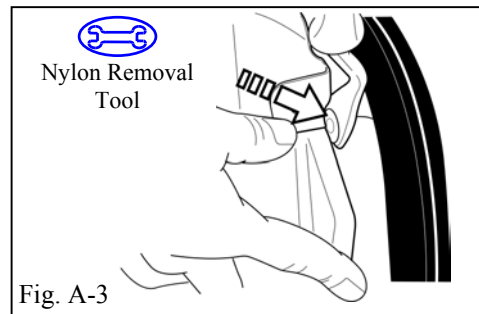


Fig. A-3

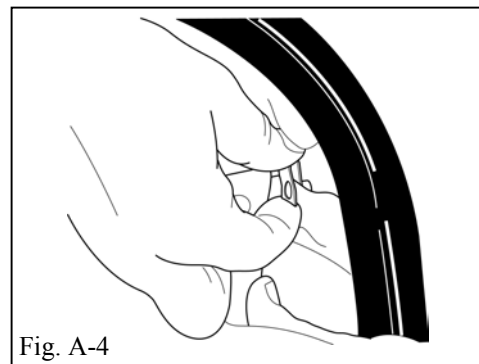


Fig. A-4

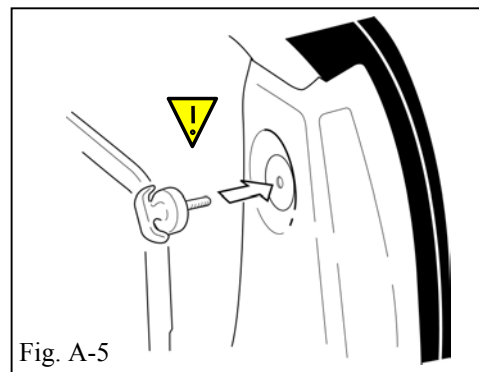


Fig. A-5

B. Attach Cargo Net.

1. Attach top net loop to T-anchor as shown. (Fig. B-1)



- i. Make sure handle on net faces toward outside of vehicle.

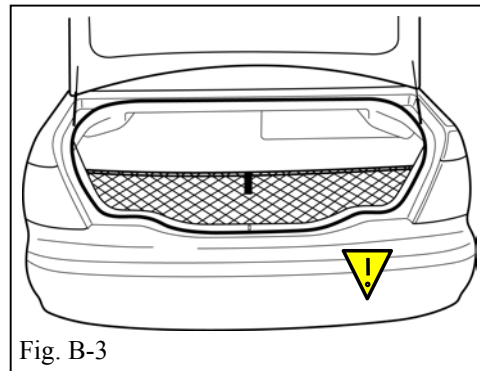
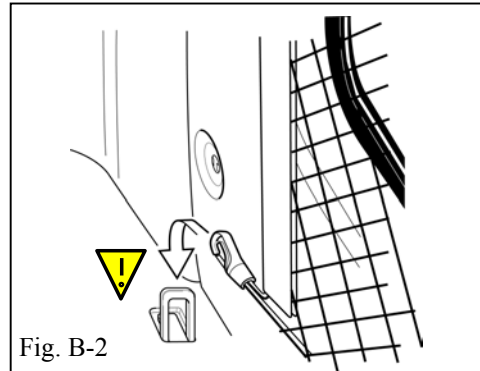
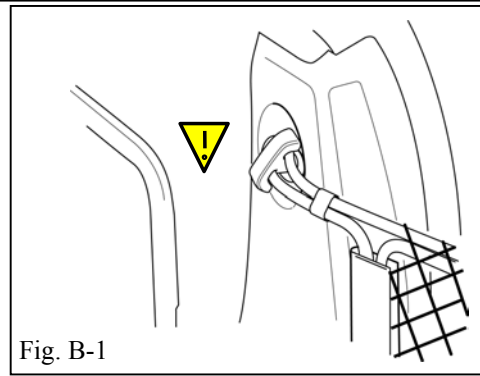


2. Attach bottom hook to the D-ring on the floor of the vehicle as shown. (Fig. B-2)

3. Repeat steps B. 1. and B. 2. for the other side of the vehicle.



4. Confirm completed assembly. (Fig. B-3)



Section III - Functional Verifications

Check: _____

- Confirm that the net is attached properly to the anchor points in the vehicle.
- Confirm that the T-anchors are correctly oriented.

Look For: _____

Make sure the loops are attached to the T-anchors and the hooks are attached to the D-rings.

Top of the T-anchors are at a 45 degree angle toward the inside of the vehicle.